

SteelTailor™

Portable Gantry CNC Cutting Machine

F4

Friendly 4

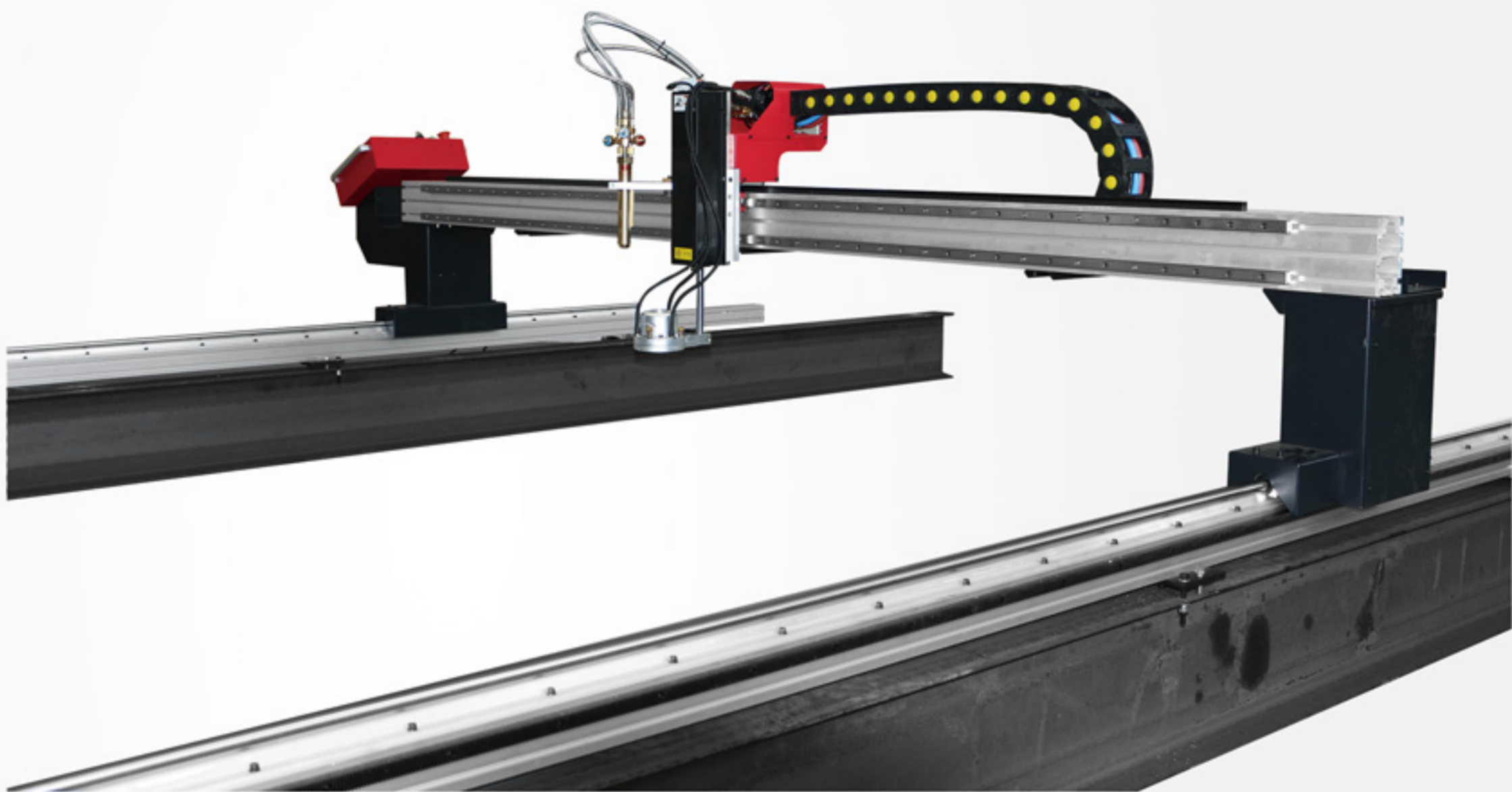
DRAGON III

ISO9001:2008

ISO14000

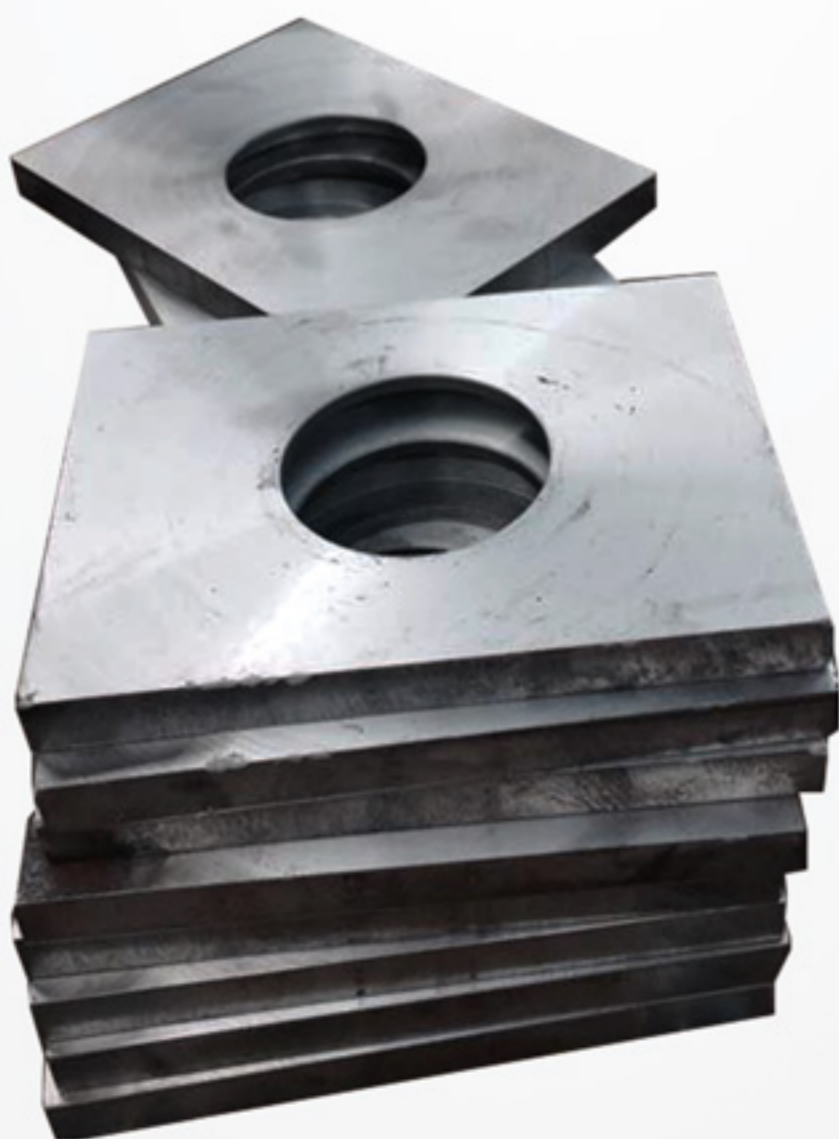


■ *Support Plasma and Oxy-fuel*



★ I-beam is optional, we suggest you make it at local.

SIMPLE, BUT POWERFUL !



Wider Enough!

2.5X3m / 2.5X6m

(Two optional dimensions for effective cutting)

Cheaper Enough!

Adopt the most reasonable structure & material

Strong Enough!

Dual drive, steady and solid structure, support high-strength tasks.

• All pictures for reference only.

Dragon III, How simple you see, how efficient it can do!

Unlike other SteelTailor Dragon series, Dragon III is a new-type portable gantry cutting machine, re-designed according to the traditional gantry structure. To make the price most favorable, Dragon III only keeps the core structure of gantry cutting machine and removes the relative accessories. Its simple structure and fast installation reveal SteelTailor's constant idea -- portable. Just like Dragon series, Dragon III has the powerful cutting functions, but with much cheaper price. The launch of such a useful and economical product will bring good news to small and medium-sized manufacturing enterprises.

Powerful:
Support plasma and oxy-fuel, anti-collision design, dual drive, steady and solid structure, support high-strength task.



High-efficiency:
good cutting precision, good cutting quality.



Simple structure:
simple installation and debugging.



Technical Parameters

Type	Dragon III	
Input Voltage	(90~120) or (200~260) Vac	
Frequency	60/50 Hz	
Input Power	210 W	
Display	LCD 7" color screen controller (remote control is optional)	
Effective Cutting Range	Standard Specification	3000X2500 mm
		6000X2500 mm
Maximum Running Speed	8000 mm/min	
Dimension of Whole Machine	2500*3000 mm	3300x3510 (mm)
	2500*6000 mm	3300x6510 (mm)
Cutting Speed	Plasma Cutting	(0~6000) mm/min (set up the optimal cutting speed according to the recommending value of the plasma power)
Repeatability	0.2 mm	
Cutting Thickness	Oxy-fuel	≤ 150mm
	Plasma	Depend on the plasma power
Crossbeam Driving Way	Dual Drive	
Torch Lifting Range	145 mm	
Cutting Mode	Plasma / oxy-fuel	
Torch Electric Lifting and THC	Plasma AVTHC (standard)	
	Electric lifting in oxygen mode (oxygen THC is optional)	
Software	FastCAM standard version	

Controller:
SteelTailor controlling system, support nesting.



SteelTailor, The Friend!

SteelTailor

SteelTailor (China) Ltd.
Cannes Industrial Park, No.18 Shuang Qiao Dong Lu, Chao Yang District Beijing, China. 100121
Tel: +86-10-51662600 Fax: +86-10-85370386
E-mail: info@steeltailor.com Http://www.SteelTailor.com

SteelTailor Inc. (USA)
Tel: +1 331 422 0800
E-mail: usa@steeltailor.com
Address: 928 Century Farm Ln, Naperville, IL 60563, USA

After Sale Service

24 Hour Line: +86 15810673675
Skype: service-steeltailor
E-mail: service@steeltailor.com

